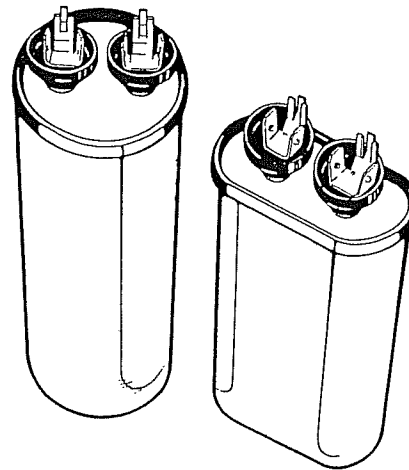


HID Lighting Capacitors - Gem III

280, 330, 400, 480, 540 and 580 Volts AC

This capacitor series is designed specifically for HID Lighting applications where the capacitors are used as part of the ballast circuit for mercury vapor, metal halide, and high-pressure sodium lamps. The units are designed to operate at up to 90 °C which is the normal requirement for HID ballast capacitors. Due to advances in materials and capacitor manufacturing techniques, these metallized polypropylene designs are now available at voltages up to 580 VAC.



SPECIFICATIONS

Available Capacitance Range:	5 to 60 μ F
Capacitance Tolerance:	\pm 3%
Capacitance Variation with Temperature:	See chart L-3 on page 9
Rated Voltage:	See Ratings Tables.
Leakage Current:	30 μ A maximum
Frequency:	50/60 Hz.
Operating Temperature:	-40 °C to +90 °C
Storage Temperature:	-40 °C to +90 °C
Operating Life:	60,000 hours with 90% survival
Dissipation Factor:	0.1% maximum
Case Material/Finish:	Aluminum case with terneplate steel cover.
Terminations:	'Combo' terminal: (2) 0.250" x 0.031" quick connect blades plus a solderable fork on each terminal.
Dielectric Fluid	Dielektrol VI
Internal Protection:	UL recognized Pressure Sensitive Interrupter. The UL Code Numbers in the Ratings Tables are the numbers listed in GE's UL File No. E7793(N). When including these capacitors in a UL submittal use this 'Pxxx' number not the Catalog Number. The generic UL designations corresponding to the GE numbers are given below. This number includes the Available Fault Current (AFC) rating. All these capacitors are capable of interrupting available fault currents of up to 10,000 amperes.

Case Style	GE Code	Generic UL Code
A	P921	A10000AFC
B	P922	B10000AFC
C	P923	C10000AFC
D	P924	D10000AFC
P	P965	P10000AFC
S	P968	S10000AFC

HID Lighting Capacitors - Gem III

* STANDARD RATINGS

280 VOLTS AC				
Capacitance (μ F)	Catalog Number	Case Style	Height c (in.)	UL Code
OVAL Case				
6	97F6801	A	2.12	P921
8	97F6857	A	2.88	P921
10	97F6858	A	2.88	P921
10	97F6805	B	2.12	P922
12	97F6871	A	3.88	P921
15	97F6860	B	2.88	P922
17.5	97F6812	B	2.88	P922
20	97F6861	B	3.88	P922
20	97F6862	C	2.88	P923
22.5	97F6855	B	3.88	P922
24	97F6873	B	3.88	P922
24	97F6864	C	2.88	P923
26	97F6868	B	2.88	P922
28	97F6824	B	3.88	P922
28	97F6823	C	2.88	P923
29	97F6846	B	3.88	P922
34	97F6854	B	3.88	P922
35	97F6865	C	3.88	P923
40	97F6866	C	3.88	P923
42	97F6869	B	3.88	P922
45	97F6850	C	3.88	P923
48	97F6836	C	3.88	P923
48	97F6872	D	2.88	P924
52	97F6867	D	3.88	P924
ROUND Case				
22.5	97F6516	P	2.88	P965
24	97F6522	P	2.88	P965
30	97F6533	P	3.88	P965
35	97F6538	P	3.88	P965
38	97F6509	P	3.88	P965
40	97F6530	P	3.88	P965
45	97F6540	S	3.88	P968
48	97F6541	S	3.88	P968

* It is GE's goal to serve you with the most cost effective and the highest quality capacitor designs. Standardization to the catalog types shown is a major program at GE. However, GE remains sensitive to your needs and requirements, and will continue to offer the above ratings (and more) in case configurations to meet your application (s).

330 VOLTS AC				
Capacitance (μ F)	Catalog Number	Case Style	Height c (in.)	UL Code
OVAL Case				
5	97F6764	A	2.88	P921
6	97F6765	A	2.88	P921
7	97F6766	A	2.88	P921
8	97F6703	A	2.88	P921
10	97F6763	A	3.88	P921
10	97F6767	B	2.88	P922
11	97F6762	B	2.88	P922
12	97F6746	A	3.88	P921
12	97F6760	B	2.88	P922
13	97F6708	B	2.88	P922
13.5	97F6749	B	2.88	P922
14	97F6768	B	2.88	P922
15	97F6758	B	3.88	P922
16	97F6769	B	3.88	P922
17.5	97F6761	B	3.88	P922
17.5	97F6770	C	2.88	P923
18	97F6771	B	3.88	P922
18	97F6779	C	2.88	P923
19	97F6715	B	3.88	P922
20	97F6716	B	3.88	P922
21	97F6745	B	3.88	P922
22.5	97F6773	C	3.88	P923
24	97F6759	B	3.88	P922
24	97F6774	C	3.88	P923
26	97F6755	B	3.88	P922
28	97F6776	C	3.88	P923
29	97F6780	C	3.88	P923
30	97F6726	C	3.88	P923
32	97F6727	C	3.88	P923
34	97F6757	C	3.88	P923
36	97F6784	C	3.88	P923
45	97F6778	D	3.88	P924
ROUND Case				
7	97F6531	P	2.88	P965
8	97F6518	P	2.88	P965
10	97F6515	P	2.88	P965
14	97F6506	P	2.88	P965
15	97F6504	P	2.88	P965
16	97F6519	P	2.88	P965
17.5	97F6505	P	2.88	P965
24	97F6537	P	3.88	P965
28	97F6521	P	3.88	P965

HID Lighting Capacitors - Gem III

400 VOLTS AC				
Capacitance (μ F)	Catalog Number	Case Style	Height c (in.)	UL Code
OVAL Case				
7.5	97F6656	A	3.88	P921
10	97F6601	A	3.88	P921
10	97F6606	B	2.88	P922
12	97F6659	B	3.88	P922
12	97F6660	C	2.88	P923
13	97F6698	B	3.88	P922
14	97F6661	C	2.88	P923
15	97F6602	B	3.88	P922
15	97F6621	C	2.88	P923
18	97F6658	C	2.88	P923
24	97F6622	C	3.88	P923
24	97F6623	D	2.88	P924
ROUND Case				
10	97F6526	P	2.88	P965
14	97F6539	P	2.88	P965
15	97F6517	P	2.88	P965
24	97F6535	P	3.88	P965

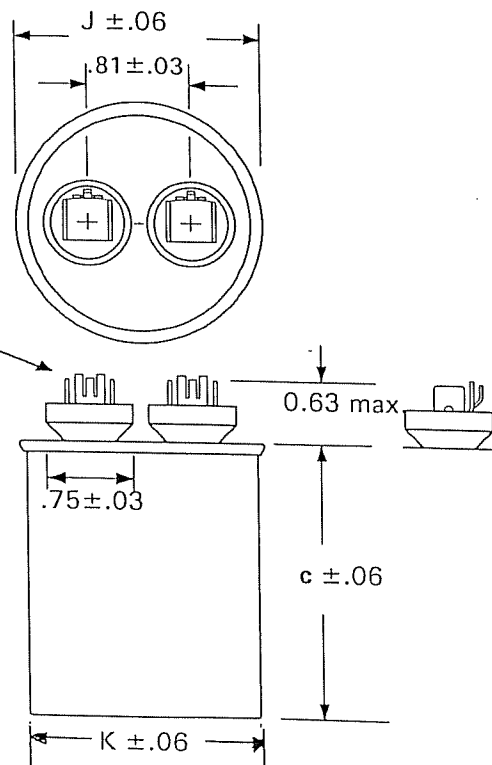
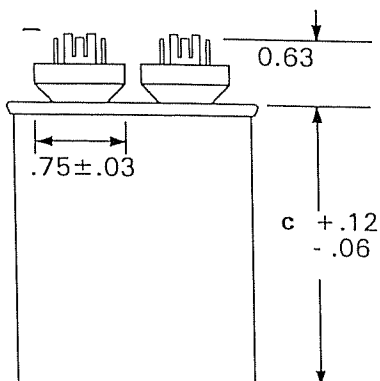
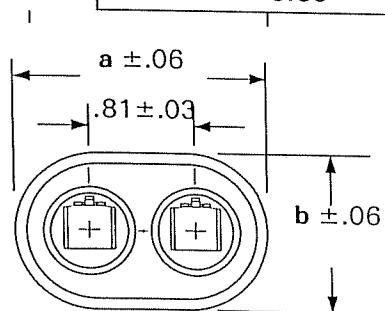
480 VOLTS AC				
Capacitance (μ F)	Catalog Number	Case Style	Height c (in.)	UL Code
OVAL Case				
3	97F6676	A	2.88	P921
4	97F6677	A	2.88	P921
4.5	97F6678	A	2.88	P921
5	97F6681	A	2.88	P921
6.5	97F6695	A	3.88	P921
8.5	97F6692	B	2.88	P922
10	97F6907	B	3.88	P922
12	97F6674	B	3.88	P922
14	97F6673	B	3.88	P922
15	97F6685	B	3.88	P922
16	97F6675	C	3.88	P923
20	97F6694	C	3.88	P923
21	97F6683	C	3.88	P923
24	97F6680	C	3.88	P923
24	97F6679	D	2.88	P924

Case Styles P and S

Case Style	K	J
P	1.75	1.88
S	2.00	2.12

Case Styles A, B, C, and D

Case Style	a	b
A	2.16	1.31
B	2.69	1.56
C	2.91	1.91
D	3.66	1.97



© 1991 GE Company